

CAB·LINK

User Guide



Radial Engineering Ltd.
1588 Kebet Way, Port Coquitlam BC V3C 5M5
Tel: 604-942-1001 • Fax: 604-942-1010 • Email: info@radialeng.com

Cab-Link™ Speaker Cabinet Combiner

Features	1
Making Connections	2-3
Line Output	4
Block Diagram	5
Specifications	5
Warranty	Back Cover

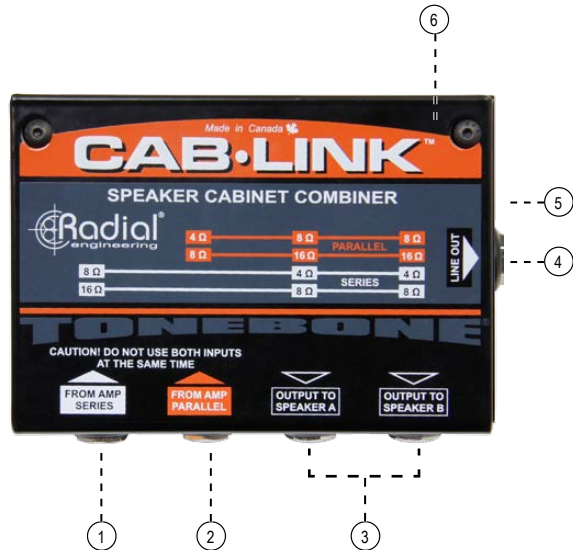


Thank you for purchasing the Cab-Link, a rugged problem-solver that allows you to connect a single amplifier to two speaker cabinets with ease. Before using the Cab-Link, please take a moment to review this short manual for full details on how to connect and utilize this handy device.

If you find that you have any unanswered questions, please visit the FAQ page on our website where we post questions from other users as well as updates. If you require more information still, please send us an email at info@radialeng.com and we will do our best to respond promptly.

FEATURES

1. **FROM AMP SERIES:** Connect your amplifier to this input when using in series configuration.
2. **FROM AMP PARALLEL:** Connect your amplifier to this input when using in parallel configuration.
3. **SPEAKER A & B OUTPUTS:** Connect to the inputs of your two speaker cabinets.
4. **LINE OUT:** Additional output can feed another amplifier or effects device.
5. **LEVELS:** Adjusts the signal level of the Line Out.
6. **14-GAUGE STEEL:** Solid steel enclosure ensures the Cab-Link will handle the most rigorous touring environments.



MAKING CONNECTIONS

The Cab-Link is completely passive with no need for power. When connecting your amp head and cabinets to the Cab-Link, always ensure that you are using heavy-gauge speaker cable, while keeping cable lengths as short as possible. Start with your amp powered down to eliminate plug-in transients.

Before making connections, check the impedance of each of your cabinets; this will be rated in Ohms (Ω). This value should be the same for both cabinets, do not mix cabinets that have different impedances. Once you have verified both cabinets have the same impedance, connect them to the SPEAKER A and SPEAKER B outputs on the Cab-Link.

Next, check the impedance of your amplifier output. Some amps will have a switch that will allow you to select the output impedance, while others may have multiple outputs with differing impedances. The guide on the top of the Cab-Link will let you know whether to use the FROM AMP SERIES or FROM AMP PARALLEL input. (Always ensure that you use only one or the other — never connect to both inputs simultaneously.)



Warning: Do not use both inputs of the Cab-Link simultaneously

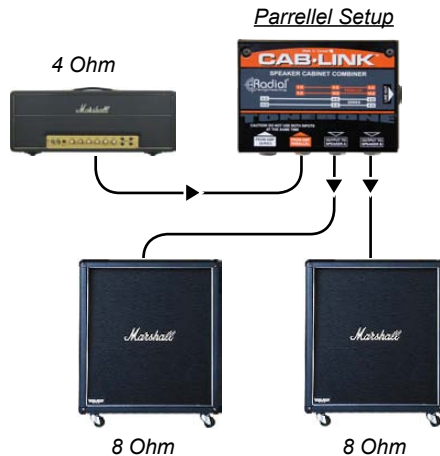
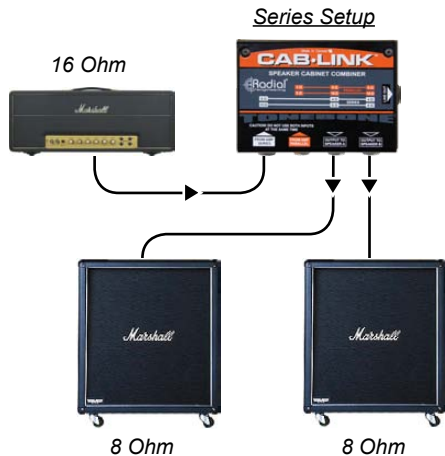


When connecting your cabinets in parallel configuration, the overall impedance decreases (two 8Ω cabinets wired in parallel will present a 4Ω load).

In series configuration, the impedance they present to your amplifier increases (two 8Ω cabinets wired in series will present a 16Ω load).



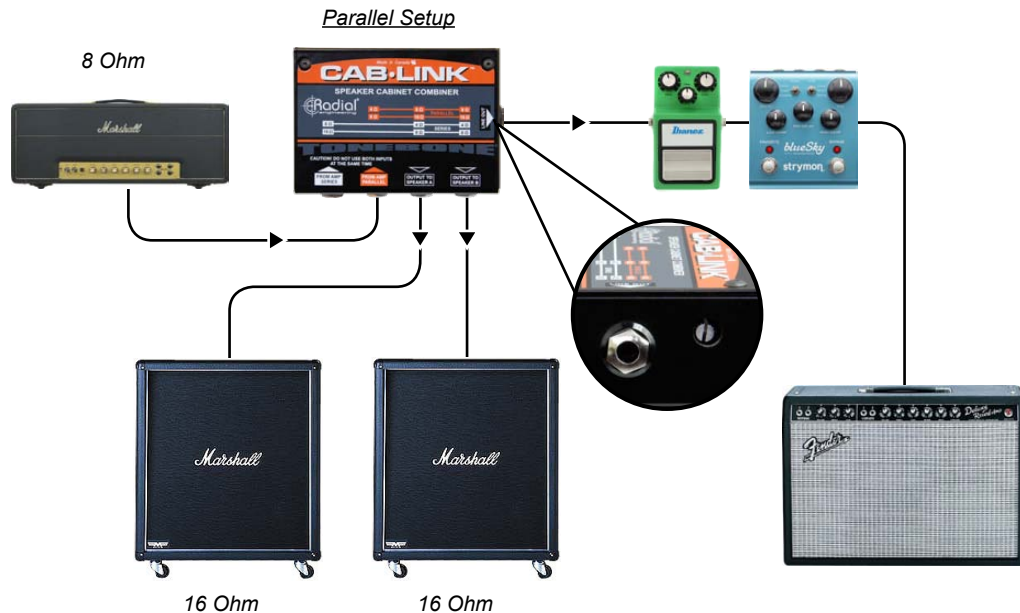
The Cab-Link allows you to choose which wiring configuration you want to use by selecting the SERIES or PARALLEL input. For optimal results, always make sure that the output impedance of your amplifier matches the impedance of the load you are connecting to it. For example, if you have two 8Ω cabinets and a 16Ω amp, you would need to connect using series wiring configuration. With the same two 8Ω cabinets and a 4Ω amp, this would require using parallel configuration and connecting to the FROM AMP PARALLEL input.



Ensure that both cabinets have the same impedance in Ohms (Ω).

LINE OUTPUT

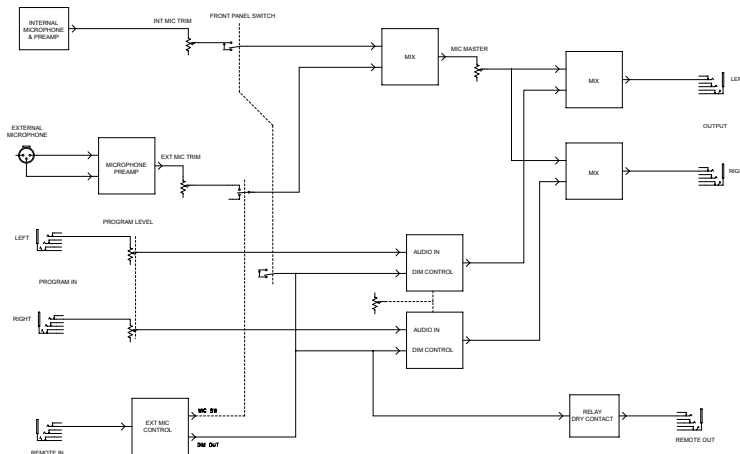
The Line Output on the Cab-Link is an additional feature that allows you to feed the input of another amplifier or an effects device. This output is adjustable via the level control on the side of the Cab-Link, and you can connect to it using standard guitar cables. Note that this output cannot be used to feed a third speaker cabinet.



SPECIFICATIONS*

Audio Circuit Type: 100% Passive
 Maximum Power Rating: 400W
 Input connections: 1/4" Series or Parallel
 Output Connectors: 1/4" Speaker A, Speaker B, Line Out
 Extras: Trim Control for Line Out
 Construction: 14-Gauge Steel Enclosure
 Warranty: Radial 3-year, transferable

BLOCK DIAGRAM*



* Subject to change without notice.

RADIAL ENGINEERING 3 YEAR TRANSFERABLE WARRANTY

RADIAL ENGINEERING LTD. ("Radial") warrants this product to be free from defects in material and workmanship and will remedy any such defects free of charge according to the terms of this warranty. Radial will repair or replace (at its option) any defective component(s) of this product (excluding finish and wear and tear on components under normal use) for a period of three (3) years from the original date of purchase. In the event that a particular product is no longer available, Radial reserves the right to replace the product with a similar product of equal or greater value. In the unlikely event that a defect is uncovered, please call 604-942-1001 or email service@radialeng.com to obtain an RA number (Return Authorization number) before the 3 year warranty period expires. The product must be returned prepaid in the original shipping container (or equivalent) to Radial or to an authorized Radial repair center and you must assume the risk of loss or damage. A copy of the original invoice showing date of purchase and the dealer name must accompany any request for work to be performed under this limited and transferable warranty. This warranty shall not apply if the product has been damaged due to abuse, misuse, misapplication, accident or as a result of service or modification by any other than an authorized Radial repair center.

THERE ARE NO EXPRESSED WARRANTIES OTHER THAN THOSE ON THE FACE HEREOF AND DESCRIBED ABOVE. NO WARRANTIES WHETHER EXPRESSED OR IMPLIED, INCLUDING BUT NOT LIMITED TO, ANY IMPLIED WARRANTIES OF MERCHANTABILITY OR FITNESS FOR A PARTICULAR PURPOSE SHALL EXTEND BEYOND THE RESPECTIVE WARRANTY PERIOD DESCRIBED ABOVE OF THREE YEARS. RADIAL SHALL NOT BE RESPONSIBLE OR LIABLE FOR ANY SPECIAL, INCIDENTAL OR CONSEQUENTIAL DAMAGES OR LOSS ARISING FROM THE USE OF THIS PRODUCT. THIS WARRANTY GIVES YOU SPECIFIC LEGAL RIGHTS, AND YOU MAY ALSO HAVE OTHER RIGHTS, WHICH MAY VARY DEPENDING ON WHERE YOU LIVE AND WHERE THE PRODUCT WAS PURCHASED.



www.radialeng.com

Radial Engineering Ltd.
1588 Kebet Way, Port Coquitlam BC V3C 5M5
Tel: 604-942-1001 • Fax: 604-942-1010 • Email: info@radialeng.com



Radial Cab-Link™ User Guide - Part #: R870 1034 00 / 05-2017 Copyright © 2017 All rights reserved.
Appearance and specifications subject to change without notice.

Made in Canada 

www.radialeng.com